

wirestrap™

self-adhesive wire fastener



Wirestrap™ is a flexible, self-adhesive fastener that provides a number of advantages over traditional mechanical fasteners like pop-in clips and cable ties. Its self-adhesive design allows for installation on almost any vehicle surface without troublesome holes required by traditional fasteners.



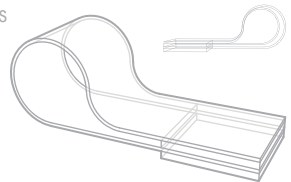
Wirestrap's™ greatest advantage lies in its customizable design. It can be supplied in a variety of sizes, configurations, and a range of available fastening materials which enable Wirestrap™ to perform in a number of automotive applications.



U.S. Patent/s: 5,827,589, 6,698,068, 6,631,335

Primary Applications

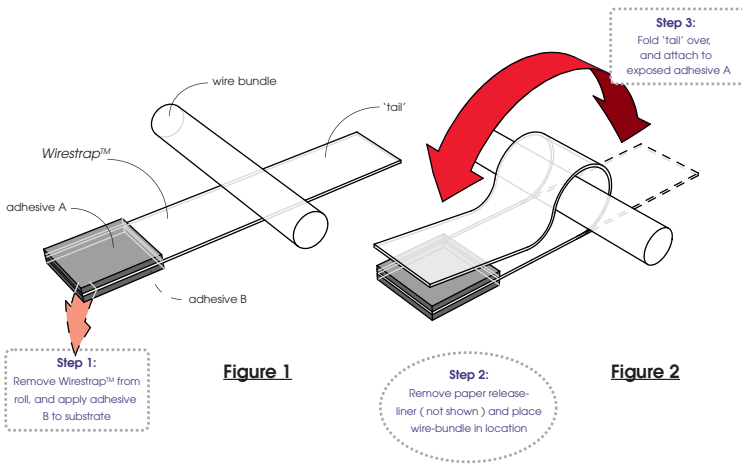
- Re-route a wire-harness path at any time in the design/ manufacturing process
- Apply *with* conventional fasteners to stop rattles, pick-up slack, & more...
- Utilize on specialty vehicles or optional equipment components
- Prevent damage: *can't be over-tightened, has wider footprint*
- Save on low-cost design changes and applications
- Solve most attachment challenges



How it works

Wirestrap™ is designed for use in both permanent and temporary wire-harness fastening applications without the need for tools, holes, or other preparation.

Using Wirestrap™ couldn't be simpler. Just remove it from the roll and apply to the desired location (step 1). Remove Wirestrap's™ release liner to reveal the second adhesive surface, (A) and place the wire bundle just below the adhesive line (step 2). Fold the 'tail' over and press it firmly in place to achieve optimal adhesion (step 3).



For More Information

Visit our website to download the comprehensive Wirestrap™ e-brochure, or contact us for a product sample and more information.

Argent

Service *by Solution*®

Die Cutting - Heat Sealing - Injection Molding - Flexographic Printing - Profile Extrusion - Light Assembly - Roll Goods

www.argent-international.com

41016 Concept Drive
Plymouth, MI 48170

Tel: 800.223.9890
Fax: 734.582.9999

3M Preferred Converter *Preferred*

© Argent International, Inc.